

4

3

2

1

THIS DRAWING IS UNPUBLISHED.

RELEASED FOR PUBLICATION

20

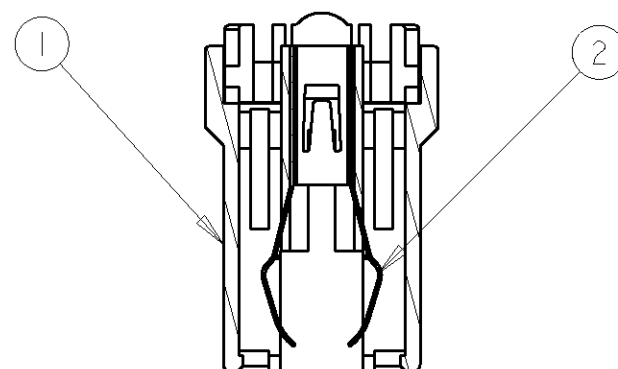
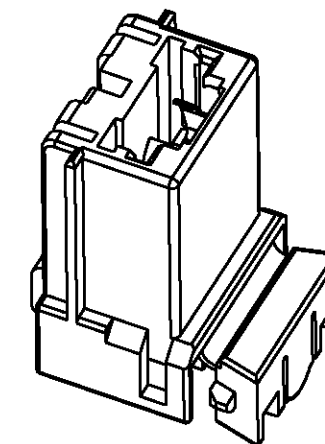
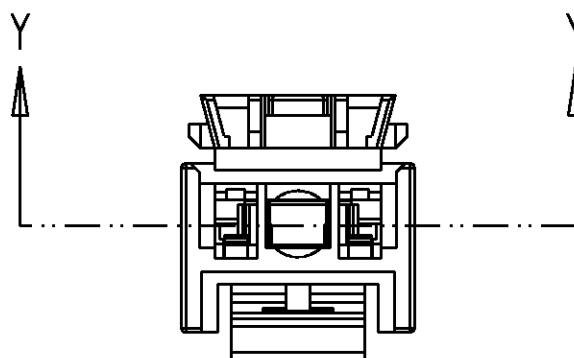
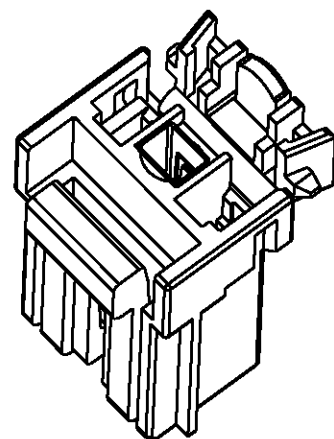
© COPYRIGHT 20

BY TYCO ELECTRONICS CORPORATION, ALL RIGHTS RESERVED.

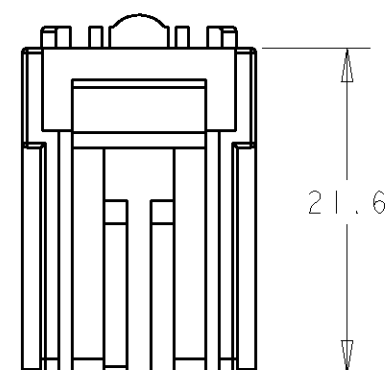
LOC
EDIST
B

REVISIONS

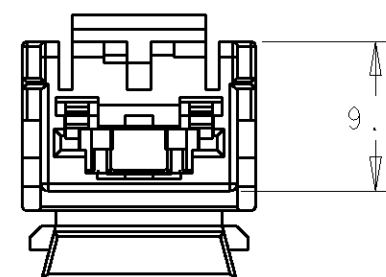
P	LTR	DESCRIPTION	DATE	DWN	APVD
	0	EB00-0500-95	08/02/96	PG	RS
	A	EB00-0531-98	09/10/98	MA	PB
	B	EB00-0124-99	09/02/99	MA	PB
	C	EBA0-0030-03	08-08-03	MJG	BB



SECTION Y-Y



21.6



9.9

INHIBITIONS	
348793-1	348793-2
348793-4	348793-3
348793-5	

NOTES

- 348793-5 MATES WITH 348794-5
348793-4 MATES WITH 348794-4
348793-3 MATES WITH 348794-3
348793-2 MATES WITH 348794-2
348793-1 MATES WITH 348794-1
- RECEPTACLE FOR 0.5mm WIRE WITH INSULATION 1.6 TO 2.1mm :
- RECEPTACLES TO BE FITTED BEFORE PART IS MATED TO HOUSING
- 962941-2 SHORTING LINK MATERIAL STAINLESS STEEL WITH SELECTIVE GOLD PLATE

962941-2	HSG PALE YELLOW PA66	1.8 - 2.1mm	348793-5
962941-2	HSG BRIGHT YELLOW PA66	1.6 - 1.8mm	348793-4
962941-2	HSG BRIGHT YELLOW PA66	1.8 - 2.1mm	348793-3
962941-2	HSG BLUE PA66	1.6 - 1.8mm	348793-2
962941-2	HSG PALE YELLOW PA66	1.6 - 1.8mm	348793-1
COMPONENT ②	COMPONENT ①	INS DIA	ASSY PT NO

THIS DRAWING IS A CONTROLLED DOCUMENT FOR TYCO ELECTRONICS CORPORATION
IT IS SUBJECT TO CHANGE AND THE CONTROLLING ENGINEERING ORGANIZATION
SHOULD BE CONTACTED FOR THE LATEST REVISION.

DIMENSIONS:	TOLERANCES UNLESS OTHERWISE SPECIFIED:
mm	
	0 PLC ±-
	1 PLC ±0.5
	2 PLC ±0.5
	3 PLC ±0.5
	4 PLC ±-
	ANGLES ±2
MATERIAL SEE TABLE & NOTE 4	FINISH -

DWN	P. GAULTON	8-10-94
CHK	D. KUIPER-MOORE	8-2-96
APVD	R. SIMMONS	8-9-96
PRODUCT SPEC	108-3371	
APPLICATION SPEC	-	
WEIGHT	-	

tyco Electronics		Tyco Electronics UK Ltd, Stanmore, Middx, HA7 4RS.	
NAME 2 WAY SHORTING CONNECTOR RECEPTACLE HOUSING ASSEMBLY			
SIZE	CAGE CODE	DRAWING NO	RESTRICTED TO
A3	00779	©-348793	-
SCALE 2:1		SHEET 1	OF 1
		REV	C